


PRODUCT SHEET

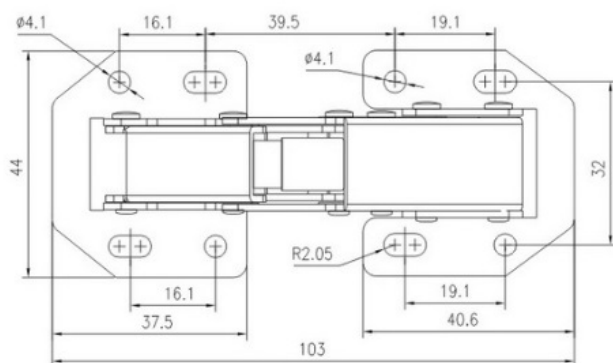
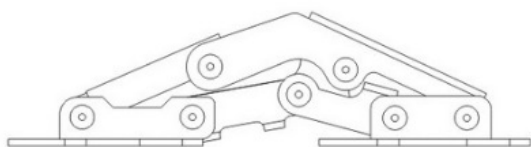
Description:

Mignon Hinge, SS-304, Spring Made of Steel NPL

Item number:

15.05.065-1

| Units | Box | Carton | HS Code | Barcode |
|-------|-----|--------|------------|---|
| Pcs. | 100 | 200 | 8302100090 |  5704866508872 |



SISO A/S

Mileparken 11
DK-2740 Skovlunde
Denmark
VAT: DK 24786013

Phone +45 45 830 900

www.siso.dk
siso@siso.dk

Danske Bank
Nytorv Branch
Copenhagen
SWIFT: DABADKKK

Account no.
4180 3112 112936
IBAN Account
DK7230003112112936